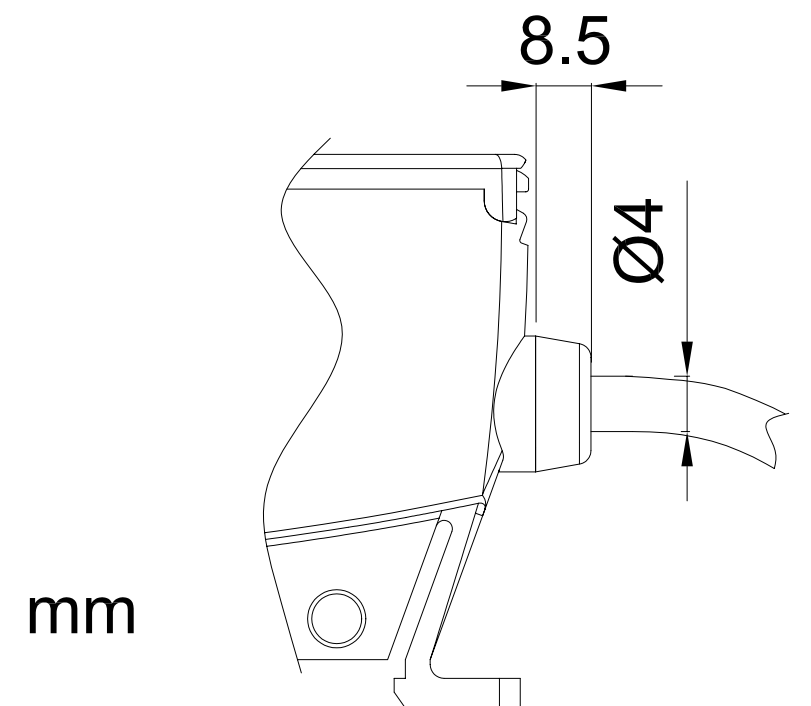


CABLE VERSION



mm